

FB47L

Discover the pleasure of performance



- Broad range of control options
- LED work light attachment for better visibility and safety
- Strong and lightweight grapples

Crane FB47L – for small tractors and trailers.

FTG Källefäll crane FB47L provides a total reach up to 4.7m and a 590kg lifting capacity at the max reach.

Crane is equipped with a linkage system for an improved movement pattern. FB47L has excellent loading geometry and it is ideal for small tractors and trailers.

As a standard crane FB47L comes with a 3 ton rotator, grapple FBI60, 4-cylinder slewing motor, rotator link without pending brake.

There are numerous valve packages and accessories to choose from.

Crane designed for versatile work applications:

- Forest trailers
- Chippers
- Log splitters
- Attachment to the tractor

FB47L combined with FTG Källefäll forest trailers offers high reliability and efficiency. Demand for maintenance is quite low for high-quality components and tested designs

Suitable trailers:

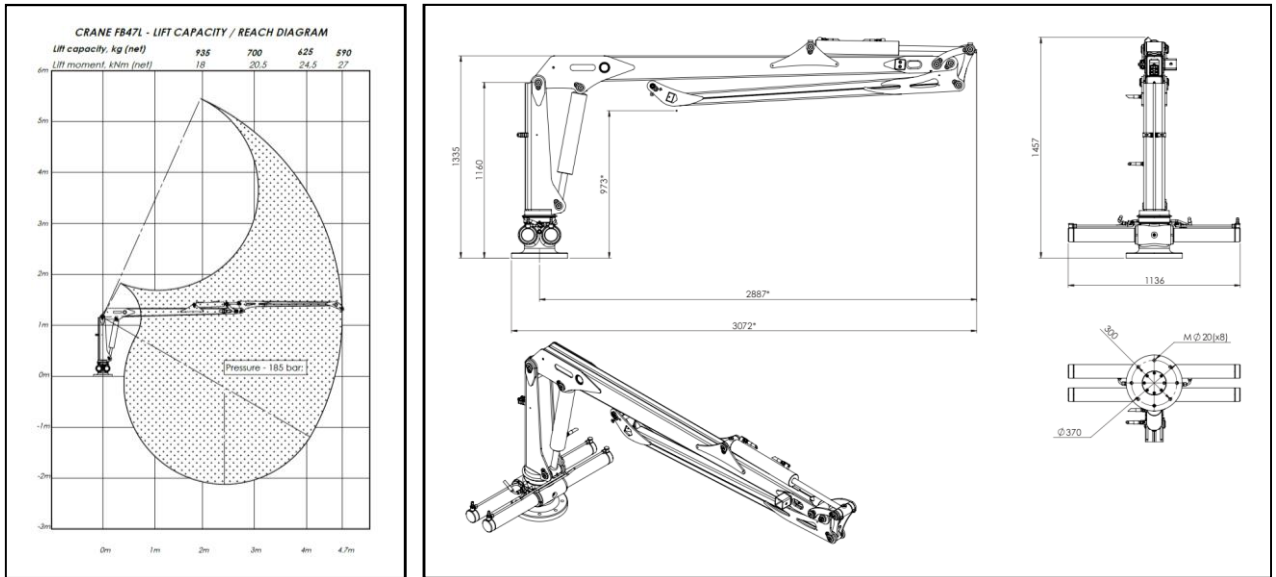
- [FB40D](#)
- [FB50](#)
- [FB60](#)

Technical characteristics

Crane (standard equipment)

<i>Parameter</i>	<i>FB47L</i>	<i>Parameter</i>	<i>FB47L</i>
Reach, m	4,7	Slewing angle, °	360
Linkage system	Yes	Total weight, kg	465
Telescope extension, m	-	Oil flow, l/min	20-30
Lifting moment (gross), kNm	28	Rotator, type	3 t
Lifting moment (Net), kNm	24,5 (4 m)	Rotator link, type	Without pending brake
Lifting capacity at max reach, kg	590	Grapple, type	FBI60
Lifting capacity at 4m, kg	625	Valve block, type	Mechanical (2-Lev. / 3-Coord.)
Slew torque, kNm	8,5	Working pressure, bar	185

Technical drawings



FB47L accessories

Valve block

Mechanical 2-Lever,
Lightweight, 4 x EL.
On/Off



Radio control
Scanreco®



Winch

FB800 with
remote control



3-Point attachment

A-frame type,
CAT. I



Independent
hydraulic system
for 3P attachment



Block valve for
telescopic
support legs



Grapple

Brush grapple
FB160S (0.16 m²)



Add-on bucket
for grapple



Clamshell bucket
KG180 (0.11 m³)



Other accessories

Protection plate
for lifting cylinder



LED work light on
crane boom



LED work light on
crane pillar



Chainsaw holder



Connection of
hydr. hoses on
pillar



Shut-off valve for
lifting cylinder



Supply pressure
monometer



Valve block cover



FTG BALTIC UAB

Dūmų st. 3K20
LT-11119 Vilnius, Lithuania
[+370 5 246 23 18](tel:+37052462318)
sales.vilnius@ftgforest.com

For more information: www.ftgforest.com

By combining our Swedish heritage with constant innovation based on the needs of customers, we design forest trailers and cranes that impress by their consistently pleasant performance.

FTG Källefäll forest trailers can pass through challenging terrains and are robustly built to withstand tough conditions in the forest. Trailers' capacity varies from 4 to 12 tones. Our trailers can be supplemented with telescopic cranes, ranging from 4,2 to 9,4 meters reach. Källefäll cranes are strong, fast, and easy to operate. We also offer a wide range of timber grapples and other accessories to meet different needs.